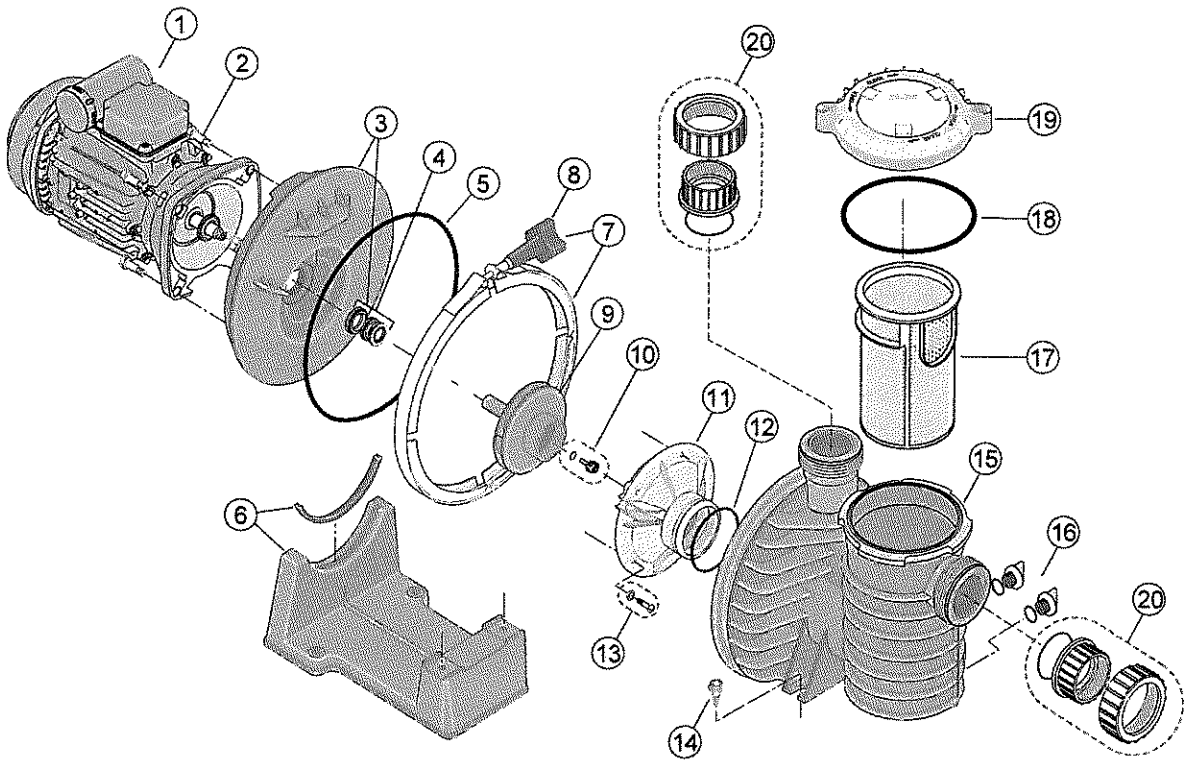


5P6R™



5P6R™

Replacement Parts

| No. | Part No. | Description | Part No. Includes* |
|--------------|----------------|---|--------------------|
| 1** | RA-D1 | Motor - Mono Phase 0,55KW | 1 |
| | RA-D3 | Motor - Tri Phase 0,55KW | 1 |
| | RA-E1 | Motor - Mono Phase 0,75KW | 1 |
| | RA-E3E2 | Motor - Tri Phase 0,75KW | 1 |
| | RA-F1 | Motor - Mono Phase 1,10KW | 1 |
| | RA-F3E2 | Motor - Tri Phase 1,10KW | 1 |
| | RA-G1 | Motor - Mono Phase 1,50KW | 1 |
| | RA-G3E | Motor - Tri Phase 1,50KW | 1 |
| | RA-H1 | Motor - Mono Phase 2,20KW | 1 |
| | RA-H3E2 | Motor - Tri Phase 2,20KW | 1 |
| 2 | RU3074SS | Screw | 4 |
| 3 | RC103194PG | Seal Plate incl. Mechanical Seal | 1 |
| 4 | R374000027S | Mechanical Seal | 1 |
| 5 | R39006000 | O-Ring | 1 |
| 6 | RC478P | Base (0,55KW) | 1 |
| | RC479P | Base (0,75KW -> 2,20KW) | 1 |
| 7 | RC1937A | Clamp and knob Assembly | 1 |
| 8 | RWC3622 | Clamp Knob | 1 |
| 9 | RC105238PFM | Impeller 0,55KW Mono Phase | 1 |
| | RC105238PFAM | Impeller 0,55KW Tri Phase | 1 |
| | RC105238PGM | Impeller 0,75KW Mono Phase | 1 |
| | RC105238PGAM | Impeller 0,75KW Tri Phase | 1 |
| | RC105238PECAM | Impeller 1,10KW Mono & Tri Phase | 1 |
| | RC105-238PLBAM | Impeller 1,50KW Mono & Tri Phase | 1 |
| | RC105-238PHAM | Impeller 2,20KW Mono & Tri Phase | 1 |
| 10*** | R373376080 | Impeller Lock Screw | 1 |
| 11 | RC1271P | Diffuser | 1 |
| 12 | RU9374 | O-Ring | 1 |
| 13 | RU30922SS | Bolts & Washers | 5 |
| 14 | RU30918SS | Screw | 2 |
| 15 | R173070110W | Pump Body Assembly (includes Partn° 16, 17, 18 & 19) | 1 |
| | RU178920P | Drain Plugs | 2 |
| 17 | RC858P | Basket | 1 |
| 18 | R355051440 | O-Ring | 1 |
| 19 | R173070111S | Lid & Lock Assembly | 1 |
| 20 | RPKG188W | Slip Union Kit 63mm | 2 |
| | PKG 188 | Slip Union Kit 2" | 2 |
| | PP6000 | Seal Set (Partn° 4, 5, 12, 18) | |

* PART NUMBER INCLUDES REQUIRED QUANTITY PER PRODUCT

** SEE MOTOR SHEET FOR MOTOR SPARE PARTS

*** IMPELLER SCREW ONLY ON TRI PHASE PUMPS